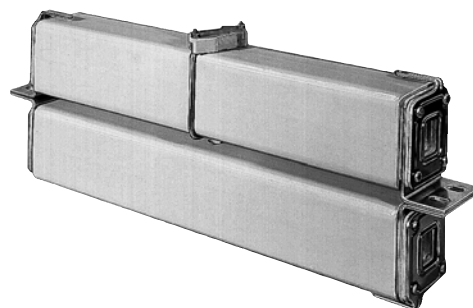
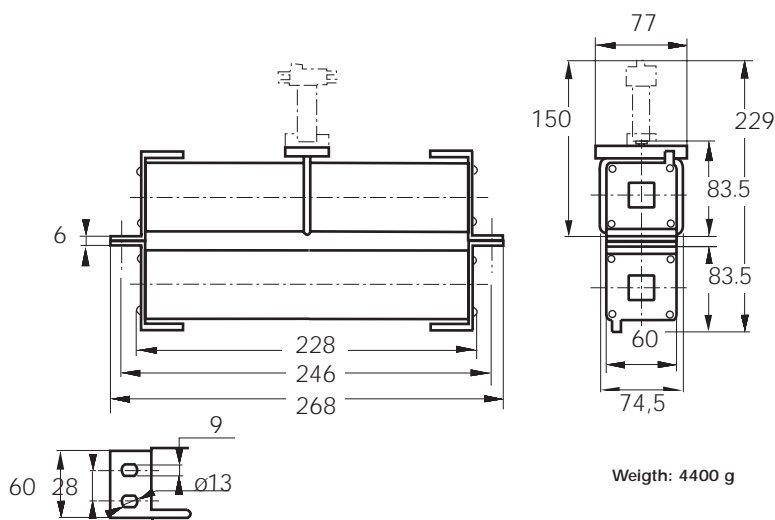


Protistor DC fuses

DC Square-body Fuses Sizes 300 - 302 - 2x302 gR Blades size 2x302 - 2000V DC

gRC-gRE from 200 to 560 A

Dimensions



Main Characteristics

Size	Current rating I_N (A)	Breaking Capacity	Watts loss		Designation	Ref. Number	Catalog Number
			0.8 I_N (W)	I_N (W)			
2x302	200	@ 2000 V DC 30 kA	60	117	CC 20 gRC 2302 QF 200	B079903	D2302GC20C200QF
	250	L/R = 30 ms	74	144	CC 20 gRC 2302 QF 250	C079904	D2302GC20C250QF
	315	@ 2000 V DC 30 kA	84	140	CC 20 gRE 2302 QF 315	X075759	D2302GE20C315QF
	400	L/R = 14 ms	96	160	CC 20 gRE 2302 QF 400	Y075760	D2302GE20C400QF
	500		115	190	CC 20 gRE 2302 QF 500	Z075761	D2302GE20C500QF
	560	@ 1800 V DC 100 kA L/R = 20 ms	120	200	CC 20 gRE 2302 QF 560	A075762	D2302GE20C560QF

Pack: 1 piece

Microswitch MC 2R 3E 1-5N BS Reference number: J310025



Shah & Shah Enterprise

www.shahent.co.in

Protistor DC fuses

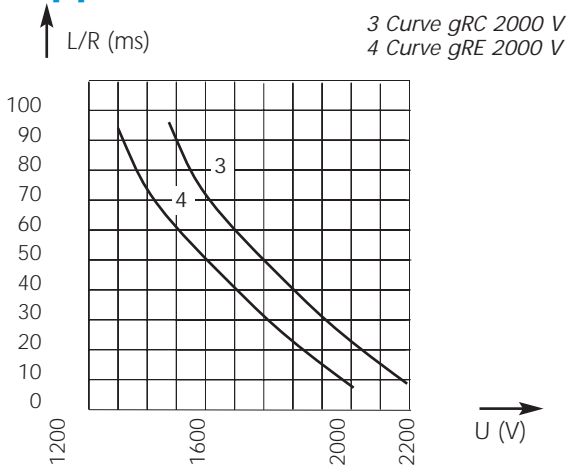
DC Square-body Fuses
 Sizes 300 - 302 - 2x302
 gR Blades size 2x302 - 2000V DC



gRC-gRE from 200 to 560 A

Electrical characteristics

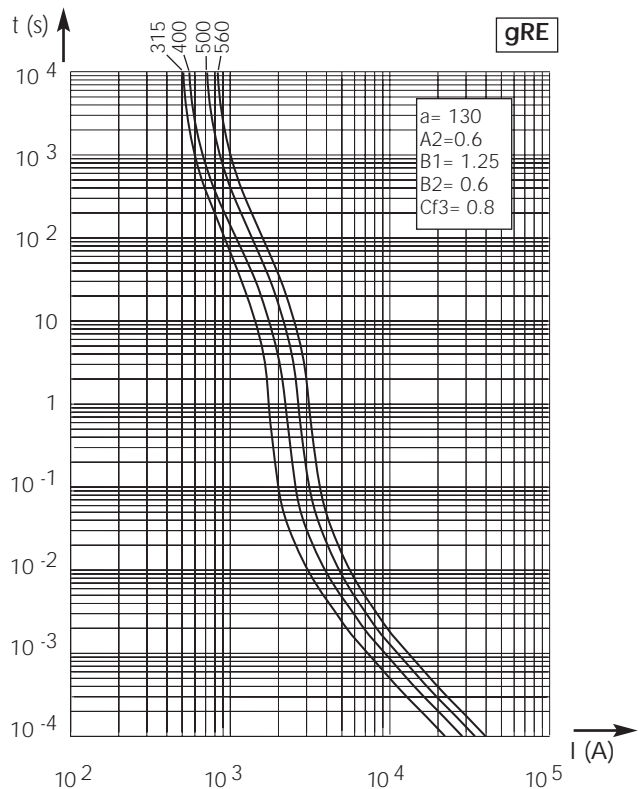
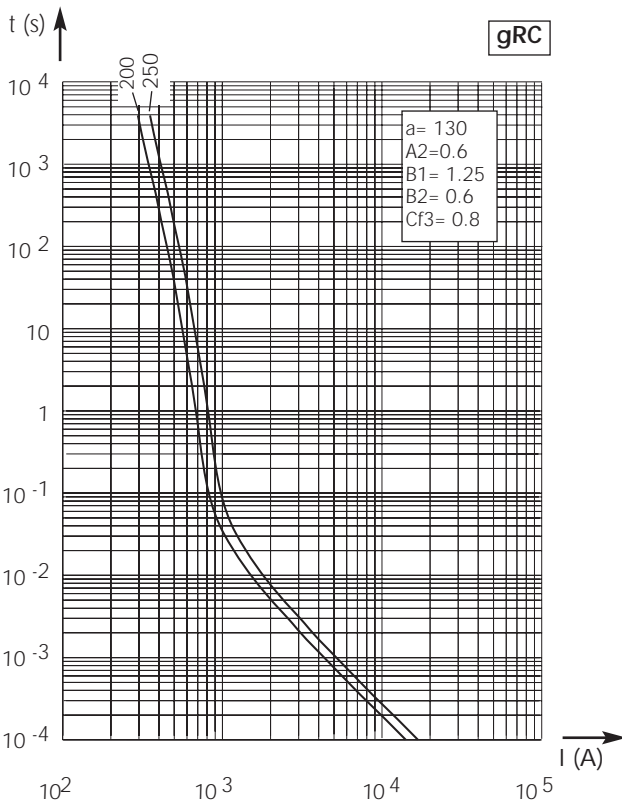
DC applications data



Above: Curves indicate maximum permissible value of time constant L/R as a function of DC working voltage

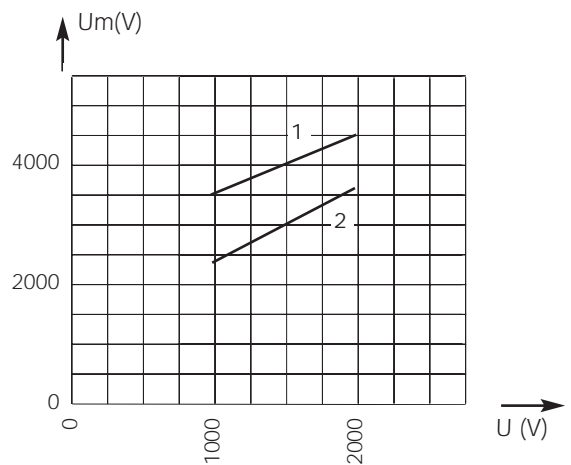
Max. AC voltage (50/60 Hz):
 1700 V with breaking capacity of 80 kA

Time vs. current characteristics



±10% tolerance for mean pre-arcing current

Peak arc voltage vs. working voltage



1 Curve gRC : $L/R = 30$ ms
 2 Curve gRE : $L/R = 15$ ms

Above: Curves indicate for various time constants L/R the peak arc voltage which may appear across the fuse terminals, vs. DC working voltage